

## PS-128F Outdoor Fire Siren

### Technical Data

Power supply	20-28V
Standby current consumption	10mA
Charging current consumption	max. 100mA
Current load during alarm	Supply by Battery
Back-up battery	12V/ 4Ah or 7 Ah
Sound Mode (vary)	900... 2400Hz
Sound pressure	118 dB
Product	B type (Outdoor)
Protection level	IP 34
Wires	0,22-1,5mm <sup>2</sup>
Weight (with battery)	3 Kg
Dimensions	295X200X100mm
Operating temperature	-40...+85°C
Max humidity	95% RH
Self Test	Battery, Lamp, Horn



### Overview

The PS-128F fire siren device are designed for application in a fire alarm systems.

Way of example it could be connected to fire loop four,-three, -two wires or deenergized starting mode.

In case of four wires mode the siren is able to send a trouble event to the fire control panel, such that end of line resistor of the loop is unconnected or there is a cable problem. The siren provide a sound and lights feedback, while a fault is shown on the fire control panel.

### Installation

The device of package contents a paper template. So we can mount the siren on the flat wall easier.

With this template paper we could make a mark on the wall for wire, bolt and wall-plug. Please removed the siren cover and mounted it on the wall by four screws.

### Jumpers

Before setting the jumpers you must power off the device.

„**Tamper**“: If a jumper is connected there will be no tamper generated on the siren.

„**Relay**“: If a jumper is connected the EOL relay os disabled.

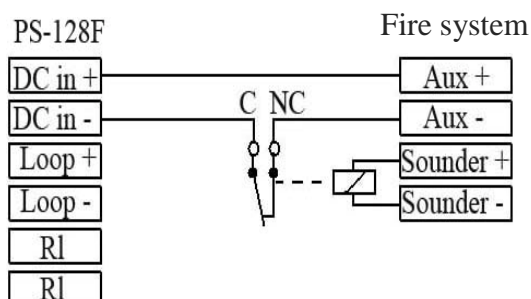
„**1**“: If a jumper is connected, the siren will not generate an alarm, if it is deenergized

„**2**“, „**3**“: Not used (reserved).

### Connectin Modes:

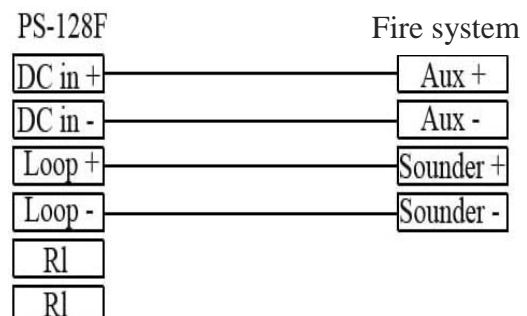
#### 1. mode: Two wires non-supervised (deenergized) starting mode:

If you removed the „1” jumper the deenergized starting mode is enabled. In this case two wires are necessary for a proper operation. The Siren of DC + (+24V) and DC – (GND) points, connected by relay to the Aux+ and Aux- of the fire system.



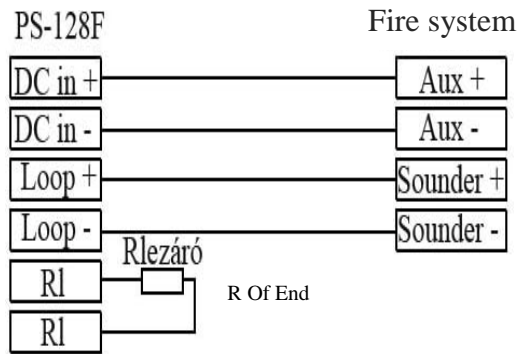
#### 2. mode :Four wires non-supervised starting mode:

Better than the first version, that power outage will not start. It is advantageous if the siren is not the last member of the loop. The disadvantage is that the control panel does not detect errors is there is one on the siren.



### 3. mode: Four wires supervised starting mode:

It there is a failure on the siren, the R1 relay disconnects the EOL resistor from the siren circuit, so a siren circuit error appears on the fire alarm control panel.

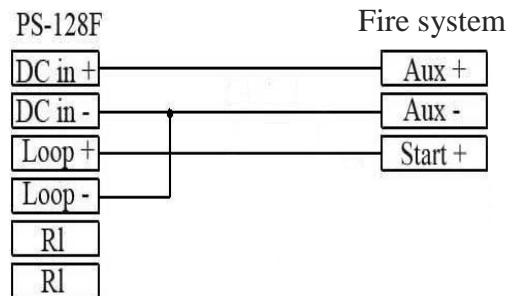


### ATTENTION!!!

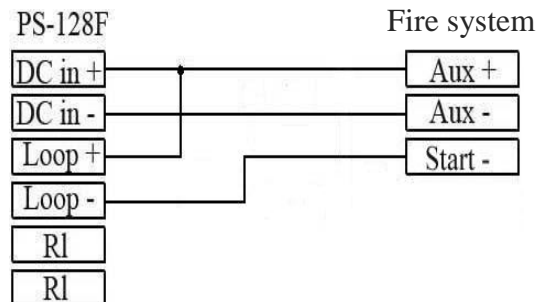
The third version connection is not working properly in all fire alarm system. In any case, make sure of the compatibility before installation, check with the manufacturer or distributor of the fire alarm system, or refer to the document.

### 4. mode: Three wires starting mode:

The siren of two wires power supply required and for the starting signal just one wire required. The trigger signal can be connected in two ways, depending on the polarity. If the trigger signal polarity is positive (Start+), so positive voltage given for siren DC in, it must be connected to the following



If the trigger signal polarity is negative, so that 0V voltage given for siren DC in, for the fire alarm of starting in is about 0V when the siren is working. It must be connected to the following



### Start up, Installation:

If you sure of the wiring is correct, reconnect the battery negative terminal to the black wire he positive pole to the red. Then, turn on the power supply (24V), and turn on the fire control panel too. If the battery is new or has been discharged, it may indicate a fault until the battery reaches to the proper level. If the error persists even after two days, check the siren, if necessary, contact your dealer. If everything works, screw in the two screws on the cover.

### The loop of siren circuit

If a PS-128F is not the last of the siren in the circuit, connect the outgoing wire to the R + and R - terminals, as shown below.

